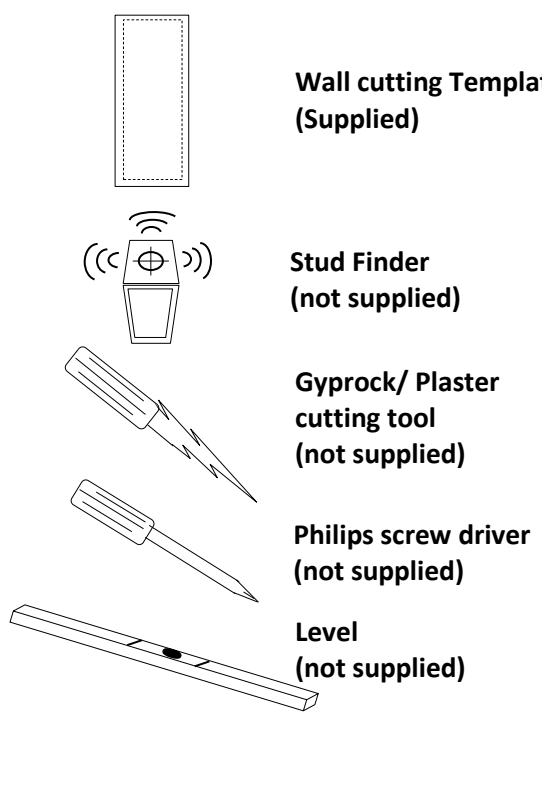


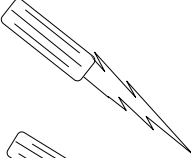
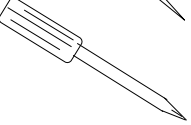



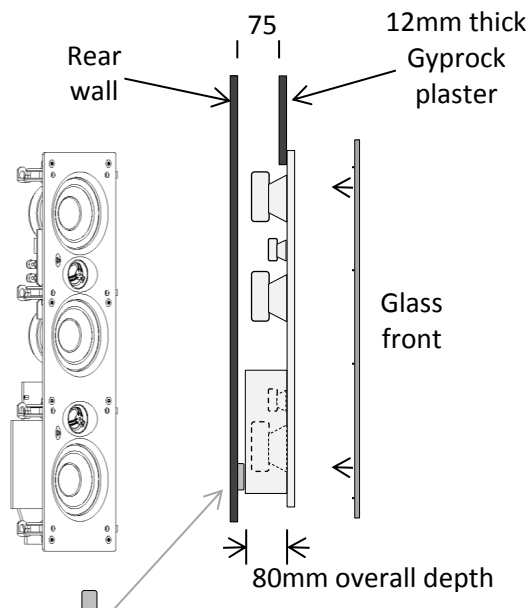
**You will need ...**



-  **Wall cutting Template (Supplied)**
-  **Stud Finder (not supplied)**
-  **Gyprock/ Plaster cutting tool (not supplied)**
-  **Philips screw driver (not supplied)**
-  **Level (not supplied)**

**Wall Cavity needed ...**

75mm (incl 7mm clearance\*)



Rear wall

75

12mm thick Gyprock plaster

Glass front

80mm overall depth

\* 7mm clearance can be reduced by adding thin insulation pad at rear to prevent vibration against rear wall.

**Tip:**

These speakers are designed for simple DIY installation. If unsure any handyman, electrician or professional installer can assist.

**Location:**

- ✓ **For Home Theatre use:** Locate Left and Right units 200 ~ 450mm either side of TV screen. Maximum distance apart is 3 meters. If locating at rear, in grid with front Left and Right In-Wall speakers is excellent but not imperative and spacing greater 1.2 meters apart is recommended.

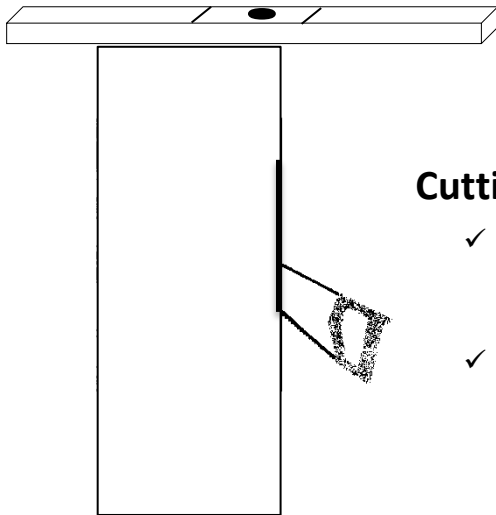
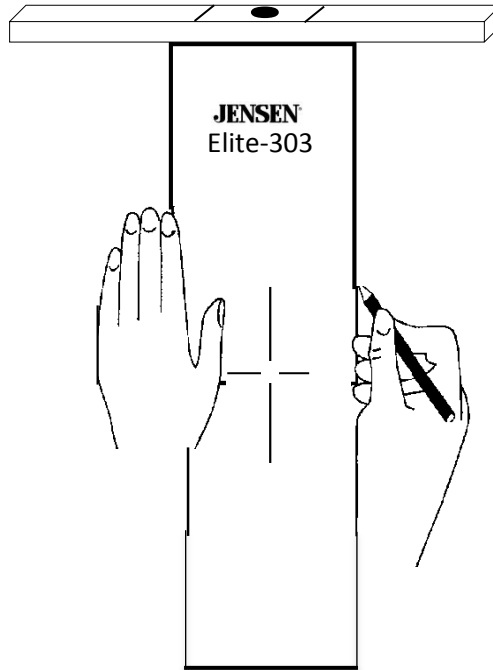
**Advanced Planning is key:**

Advance planning in regards to placement of your speakers is critical:

- ✓ Ensure desired cutout location has available cavity. If unsure, drill 2mm pilot hole and insert coat hanger wire (or similar) to determine this.
- ✓ Cutout location must be free of wall studs, noggins and bracing. If unsure, Stud Finders are perfect to determine this. Cutout location must be min. 25mm from a stud, noggin or bracing for dog-clamp fixings to swing and clamp rear of gyprock/plaster.
- ✓ If unsure any handyman, electrician or professional installer can assist here.

## Using Template (supplied)

- ✓ Use the supplied template trace along perforated line.
- ✓ Ensure your markings are level. Use a spirit/bubble level to be sure.

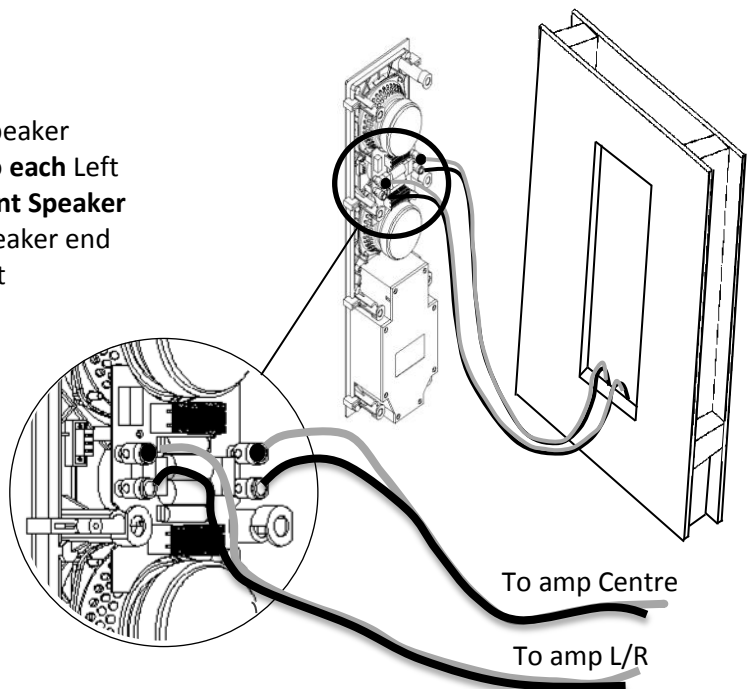


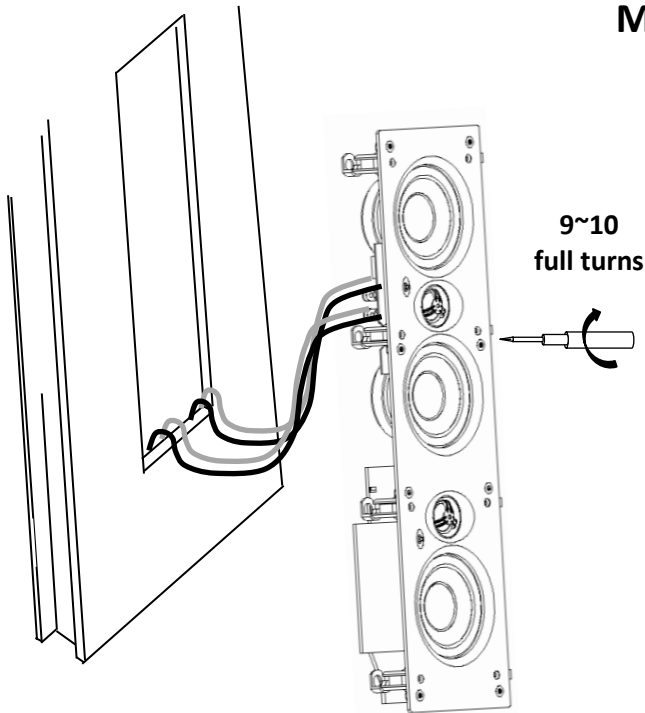
## Cutting the Wall:

- ✓ Using the appropriate wall-cutting tool, blade or Stanley knife, accurately cut the hole in the wall Gyprock/Plaster.
- ✓ Once cut-out complete, remove any insulation from this area only. Insulation in wall is welcomed but not in immediate speaker area.

## Installing Speaker Leads:

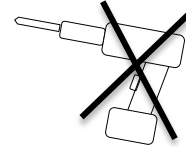
- ✓ From your AV Receiver run **TWO** speaker cables thru the wall/ceiling/floor to **each** Left and Right speaker. **One for L/R Front Speaker and one for Centre Speaker.** At Speaker end leave enough slack in wire so that it can hang out of hole.
- ✓ Try to keep all Speaker Leads same Length - even if one speaker is closer to AV Receiver.
- ✓ Use 16 Gauge Speaker lead for runs up to 10 meters. Otherwise 14 gauge for longer.
- ✓ **Important:** Ensure ends of all Speaker Leads connect positive to positive (RED to RED) and negative to negative (BLACK to BLACK) otherwise poor sound will result.





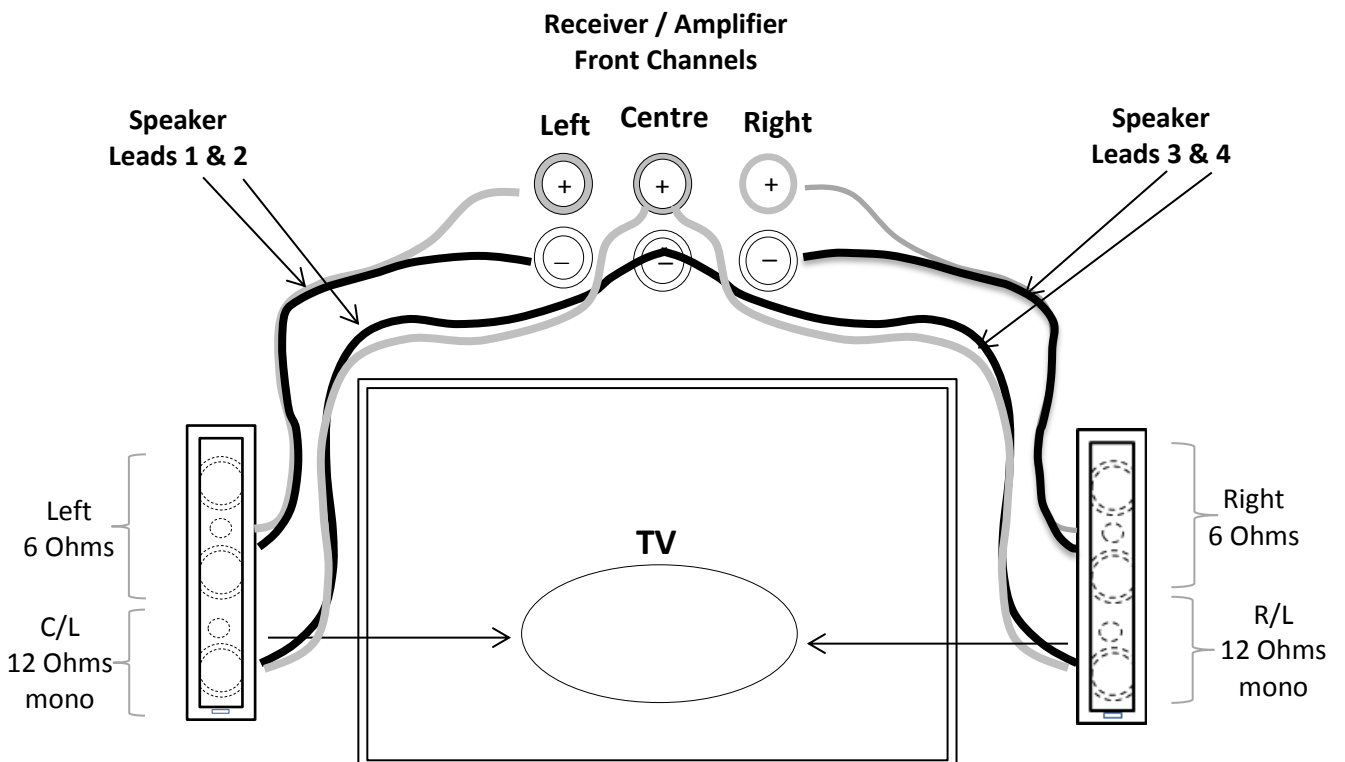
## Mounting Speakers:

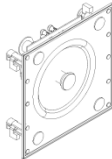


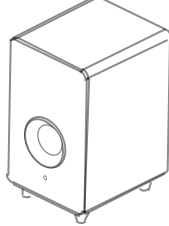
- ✓ Remove any insulation completely away from Speaker area. Insulation elsewhere is fine.
- ✓ Insert speaker into hole ensuring Speaker wire is away from back of cone to avoid a possible rattle.
- ✓ Using Phillips head screwdriver, tighten the 8 dog-clamp screws until you feel Dog Clamps take grip (9~10 full turns) against back of gyprock/plaster.
- ✓ At this point you can see the gap between Speaker Frame and wall close up fully.
- ✓ Then, nip these up – **do not over-tighten.**



## Main Tips:

1. Use a Stud Finder to Pre-plan your locations.
2. Use Laser level or Spirit level to ensure template is perfectly level.
3. ALL ends of Speaker Leads must be Pos (+) to Pos (+) & Neg (-) to Neg (-)
4. Do not use Battery Drill.



				
	<b>Elite-101</b>	<b>Elite-202</b>	<b>Elite-303</b>	<b>Elite-606</b>
<b>Shape</b>	Square	Rectangular	Rectangular	Gloss Black / White
<b>Suited for</b>	Wall	Wall	Wall	Floor Subwoofer
<b>Description</b>	Glass front 6.5" 2 Way	Glass front Twin 4.5" 2 Way	Glass front Twin 4.5" 2 Way + inbuilt Twin 4.5" 2 Way Centre Speaker	Hi Gloss enclosure with Down-firing 8" "Monster" driver with 40oz magnet & 2"V/coil
<b>Tweeter size mm / inches</b>	28mm / 1.1" Pure Silk Dome	28mm / 1.1" Pure Silk Dome	Twin 28mm / 1.1" Pure Silk Domes	n/a
<b>Power Handling</b>	110 W RMS	140 W RMS	140 WRMS + 140WRMS	140 Watt RMS Output
<b>Nom. Impedance</b>	6 Ohms	6 Ohms	6 Ohms	n/a
<b>Sensitivity</b>	91db	90db	90db	n/a
<b>Frequency Resp.</b>	42Hz-21kHz	40Hz-21kHz	40Hz-21kHz	35Hz-200Hz
<b>Min. Mounting Depth mm / "</b>	85 mm	62 mm	75 mm	n/a
<b>Tweeter Boost switch</b>	NO	YES	YES	n/a
<b>Eyeball tweeter</b>	YES	YES	YES	n/a
<b>Paintable Faces &amp; Grills</b>	NO	NO	NO	n/a
<b>Tweeter Protection</b>	YES	YES	YES	n/a
<b>Magnetic Shielding</b>	NO	NO	NO	NO
<b>Colours</b>	Black / White	Black / White	Black / White	Hi Gloss Black / White
<b>Outer Dimensions: mm</b>	240 x 240	570 x 163	650 x 163	460(H)x 277(W)x 313(D)
<b>Cut-out Dimensions: mm</b>	226 x 226	325.5 x 137.5	568.5 x 137.5	n/a
<b>Warranty</b>	5 Years	5 Years	5 Years	5 Years

## Warranty

These models have a

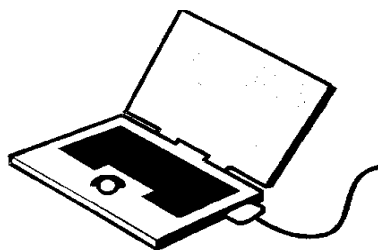
### 5 Year unconditional Warranty

This covers ... well, everything!

# JENSEN®

24/7 Customer Support

info@**bdimports**.com.au



[www.jensenspeakers.com.au](http://www.jensenspeakers.com.au)